



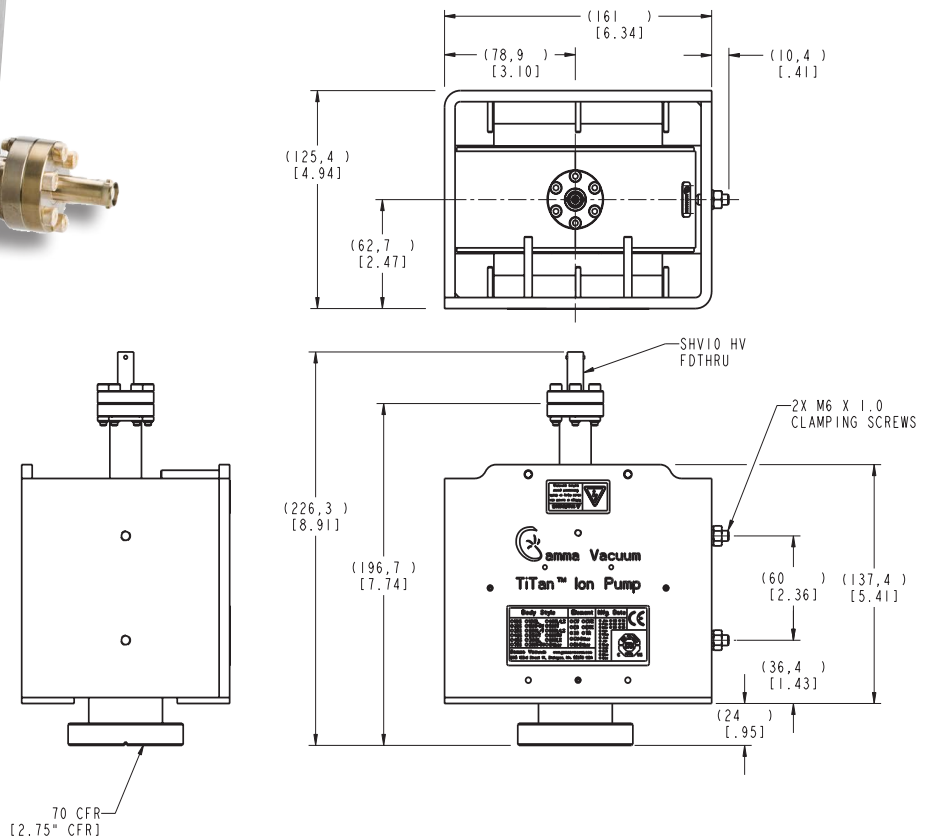
TiTan™ 25SVW Ion Pump



TECHNICAL SPECIFICATIONS

Element Type	CV	DI	TR
Pumping Speed (l/s, Nitrogen)	20	15	15
Starting Pressure (mbar)	$\leq 1 \times 10^{-3}$	$\leq 1 \times 10^{-3}$	$\leq 5 \times 10^{-2}$
Lifetime (hours @ 10^{-6} mbar)	50,000	50,000	80,000
Ultimate Pressure (mbar)	$< 1 \times 10^{-11}$		
Maximum Baking Temperature (°C)	250 / 450 (without magnets)		
Inlet Flange	DN 35 (2.75 in.) CFR		
Weight, kg (lbs)	8 (18)		

DIMENSIONAL DETAILS*



*Single inlet flange shown. Alternative configurations available at www.gammavacuum.com

STANDARD OPTIONS*

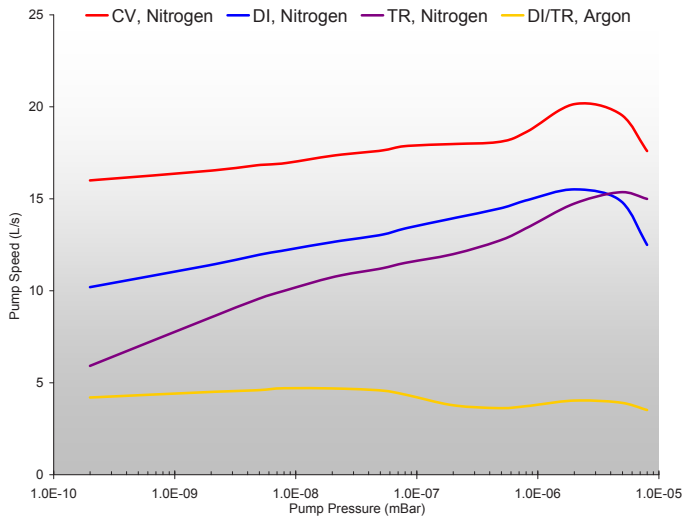
Element Styles		Ports		Feedthroughs		Heaters		TSP/NEG	
CV	Conventional 100% Titanium	2H	Single DN 35 (2.75 in. CFR) Horizontally oriented	SC	SAFECONN™ 10kV SHV	N	No Heaters	N	Not Available
DI	Differential 50% Titanium 50% Tantalum	2V	Single DN 35 (2.75 in. CFR) Vertically oriented	OP	Perkin Elmer	110	110-volt 90-130 nominal		
TR	Triode Slotted Titanium	2D	Double DN 35 (2.75 in. CFR)	OV	Old Varian	220	220-volt 200-240 nominal		
				VR	StarCell				
				FI	Fisher				

*Configured part numbers and pricing are available at www.gammavacuum.com. Contact us directly for custom engineered options.

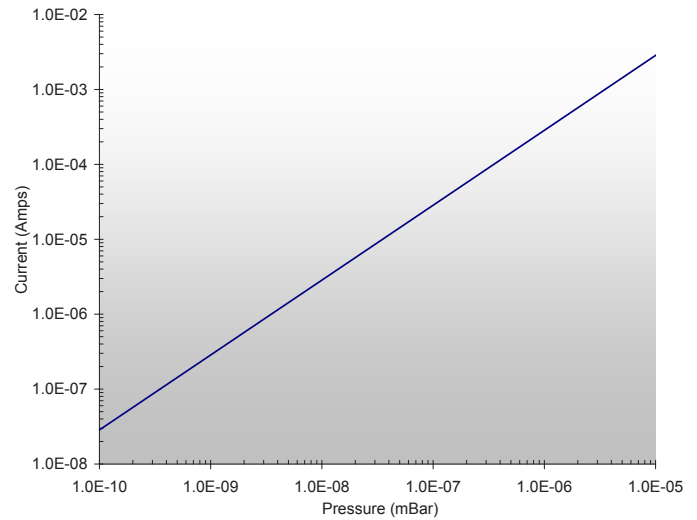
PERFORMANCE CHARACTERISTICS

Pumping Speed vs. Pressure

measured in accordance with ISO/DIS 3556-1.2-1192



Current vs. Pressure



GAMMA VACUUM

2915 133rd Street West
Shakopee, MN 55379 | USA
800.237.3603 T | 952.445.4841 P
952.445.7615 F

gammavacuum.com | info@gammavacuum.com