

Spectra Z exhaust management system

The Spectra Z exhaust management system is a cost-effective, reliable and high performance abatement solution for the latest generation of Flat Panel Display (FPD) and Solar Cell manufacturing processes.

Features and benefits

- Reliable abatement performance
 - Capable of managing high flows of gases
 - Efficient abatement of toxic and flammable gases
 - Potential to connect multiple OEM tools/ chambers to one system
- Proven reliability in the most demanding of applications
 - Excellent powder handling for high flow silane applications
 - Corrosion resistant to high flows of Fluorine (F_2)
- Risk Management
 - Combustion of all flammable gases
 - Air-cooled design as standard
- Low Cost of Ownership
 - Optimised fuel gas consumption for full process gas abatement
 - No process cooling water required
 - No oxygen required
 - Low power consumption
 - Low nitrogen consumption



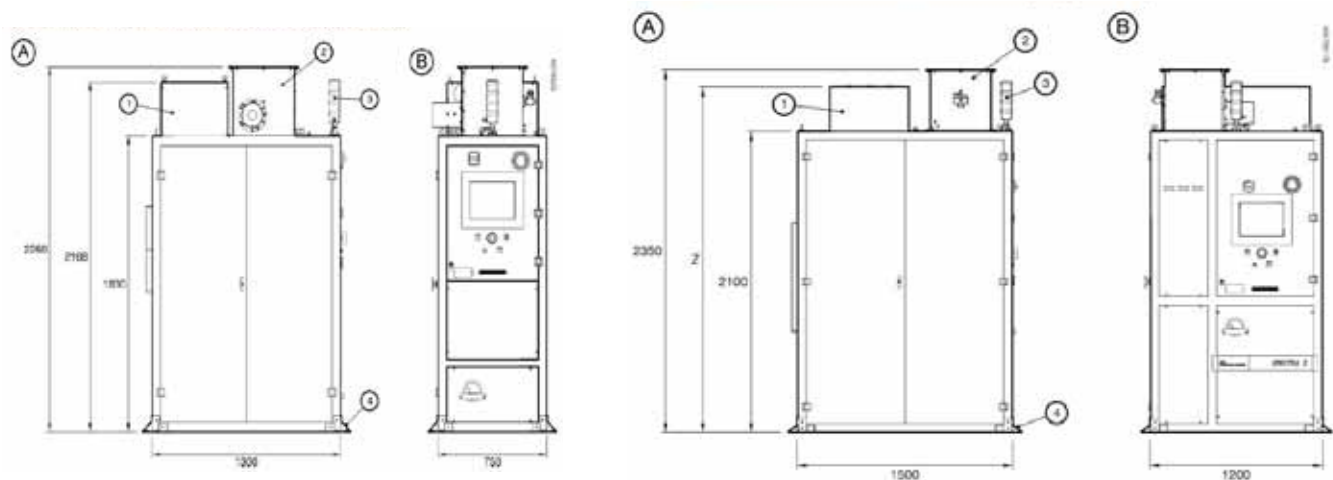
By-Product Destruction

- In the Flat Panel CVD and solar process hydride gases and NF_3 and F_2 clean gases flow through the process chamber. The Spectra Z abates these gases and related by-products in a cost efficient manner by operating at an optimised fuel rate.

Technical data

Performance details	Spectra Z 800	Spectra Z 3000
Maximum gas flow rate	800 slm	3000 slm
Power consumption	4 kW	6 kW
Nitrogen supply pressure	6-8 bar	6-8 bar
Fuel gas supply pressure	137 mbar (2 psi)	137 mbar (2 psi)
Extract flow rate	60 Nm ³ /min	180 Nm ³ /min
Mass	850 Kg	1450 Kg

Spectra overall height	
Number of inlets	Height
1	2254
2	2412
3	2412
4	2412
5	2102
6	2102



- | | |
|---------------------------------------|--|
| A. Side view | 5. Area required to connect/access the exhaust gas outlet |
| B. Front view | 6. Area required for operator interface access and electrical access |
| 1. Bypass valve module | 7. Area required for service access |
| 2. Cabinet-extraction module (option) | 8. Fixing holes: Ø14 (2 off on each bracket) |
| 3. Status Beacon (option) | 9. Jacking holes: M10 (2 off on each bracket) |
| 4. Seismic restraint brackets (4 off) | |

Gases treated by Spectra Z

Suitable for process application use in the a-Si solar and Flat Panel Display CVD industries for the treatment of the following gases:

SiH ₄	TMB	DEZ	PH ₃ /H ₂ @ 2%
H ₂	NH ₃	NF ₃	PH ₃ /SiH ₄ @ 2%
F ₂			

Global contacts

EUROPE

UK Crawley +44 1293 528844
 UK (local rate) 08459 212223
 Belgium Brussels +32 2 300 0730
 France Paris +33 1 4121 1256
 Germany Munich 0800 000 1456
 Italy Milan +39 02 48 4471

USA

Niagara (toll free) +1 800 848 9800
 BRAZIL
 Sao Paulo +55 11 3952 5000
 ISRAEL
 Qiryat-Gat +972 8 681 0633

ASIA PACIFIC

China (toll free) +86 400 111 9618
 India, Pune +91 20 4075 2222
 Japan, Yachiyo +81 47 458 8831
 Korea, Bundang +82 31 716 7070
 Singapore +65 6546 8408
 Taiwan R.O.C. Jhunan Town +886 3758 1000